

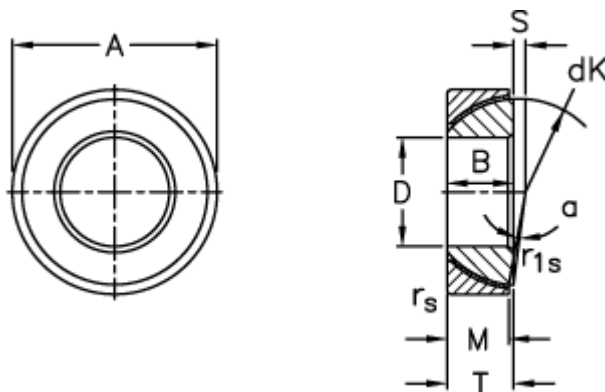
Data Sheet



Article number: 03510200

Description: Fluro Rod end GE 200SW

Measures



A = 310 0 -0,035

B = 70

D = 200 0 -0,030

dK = 290

Dynamic load C (kN) = 3100

M = 66

rs, r1s min = 3

S = 26

Static load C0 (kN) = 6200

T = 70 +0,35 -0,80

Tilt angle = 1.5

Weight = 22500